

---

# Table of Contents

## Integrated Service Access Point

Subject	Page
Introduction .....	3

---

# Integrated Service Access Point (ISAP)

**Model: All**

**Production: All**

# OBJECTIVES

After completion of this module you will be able to:

- Identify the ISAP.
- Explain the purpose and capabilities of the ISAP.
- Identify the LEDs and interface of the ISAP.

## Introduction

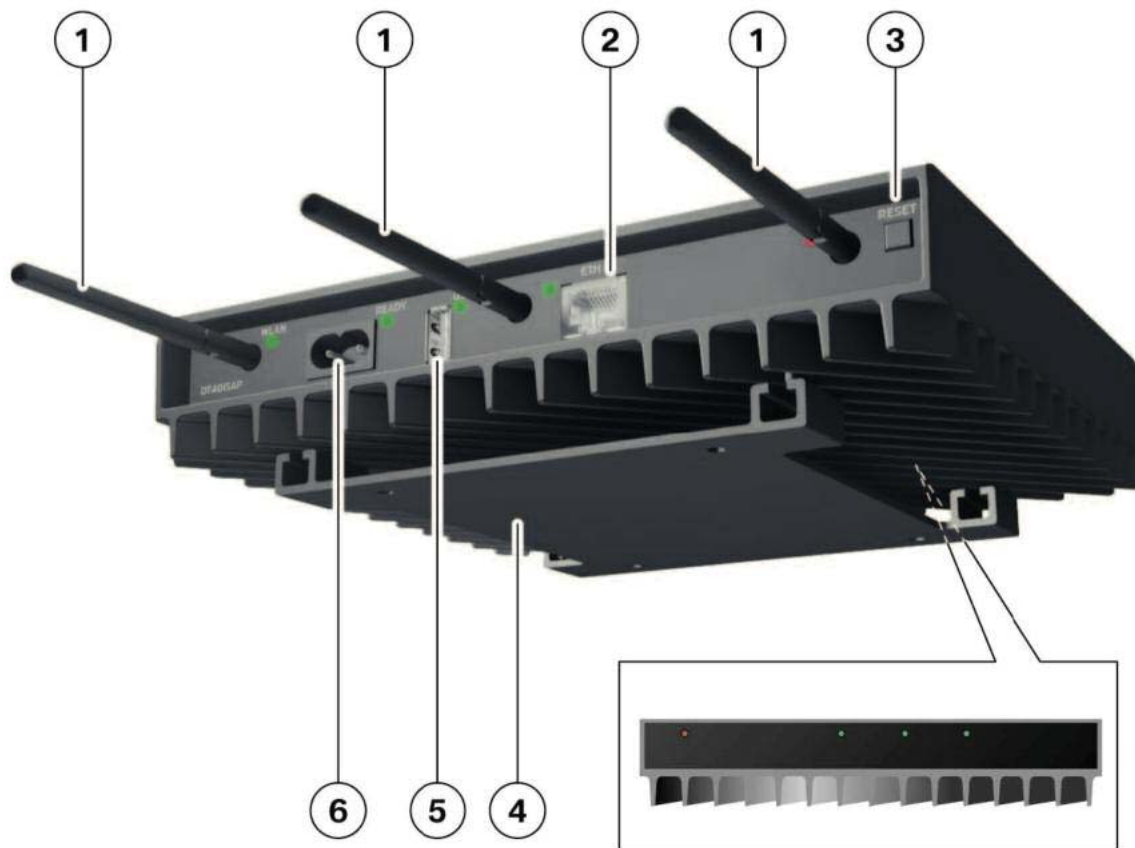
The Integrated Service Access Point (ISAP) is a wireless communication device developed by EB (Elektrobit Corporation) and optimized for BMW ITools application. The Integrated Service Access Point is referred as "ISAP". The ISAP operates at 2.4GHz and 5GHz WLAN band frequencies. It is designed to operate in the 802.11n WLAN mode.

The main advantages of ISAP are:

- Very high wireless performance compared to older standards (802.11a,b,g)
- Robust design with high reliability
- Easy administration via Workshop System Management (WSM)
- AC power feed
- Diagnostics for wireless traffic
- Supports remote firmware download



**Integrated Service Access Point (ISAP)**



### Integrated Service Access Point

Index	Explanation	Index	Explanation
1	WLAN antennas	4	Wall mount
2	Workshop Network LAN connection	5	USB connection
3	Reset button	6	Power connection

The Integrated Service Access Point supports the wireless linking of the:

- Integrated Service Information Display
- Integrated Communication Optical Module
- Integrated Measurement Interface Box

The use of the Integrated Service Access Point provides high bandwidth and therefore makes for fast data transfers using the latest WLAN technology with provision for future expansions.

Registration and configuration is carried out using the Workshop System Management. Firmware updates are similarly managed using the Workshop System Management and are implemented automatically when necessary.